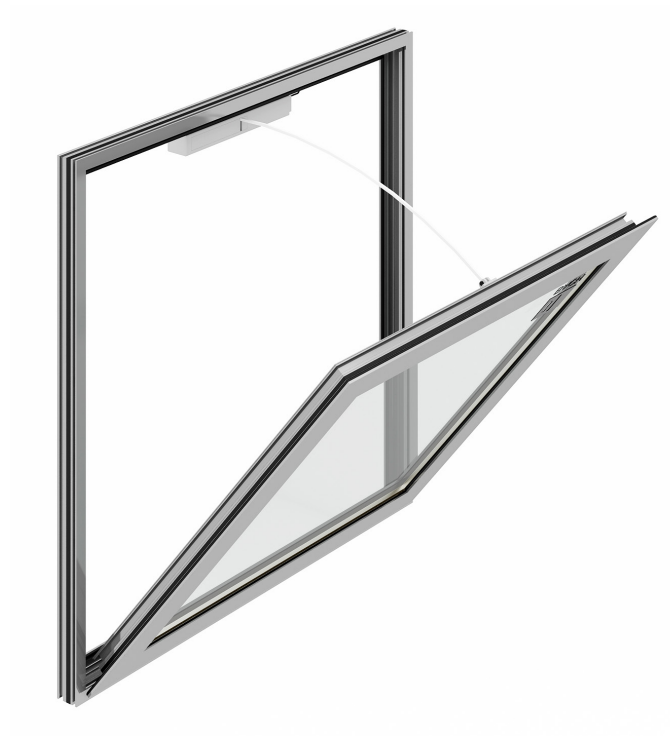


PRODUCT FEATURES

The DEVEA is a thermally broken natural ventilation window suitable for natural day to day ventilation and smoke control for installation on vertical facades. It has a slim structure, a compact construction and excellent aesthetics. A wide range of flaps and controls are available.





d e v e o

TYPICAL APPLICATIONS

Particularly suitable for applications on facades. The mounting angle is 90°. The opening angle of the window depends on the selected stroke length for the control mechanism and is variable up to 70°. Installations: logistics centres; shopping centres; atria, offices, etc.. Special profiles can be adapted for wall curtain systems or others as opening masonry.

MATERIALS

The window structure consists of tempered aluminium, sea water corrosion resistant AIMg³. Both the outer frame and flap frame are thermally broken. The frame is sealed with EPDM rubbers.

DIMENSIONS

H MAX

2700 mm

W MAX

1500 mm

MAXIMUM SURFACE AREA

4,05 m²

ALTERNATIVE DIMENSIONS

On demand

CONSTRUCTION

CONTROLS

Pneumatic (for smoke and day to day ventilation)
 24V DC linear electric drive (for smoke and day to day ventilation)
 24V DC chain electric drive (for smoke and day to day ventilation)
 230 V AC electric drive (for day to day ventilation)

FLAPS

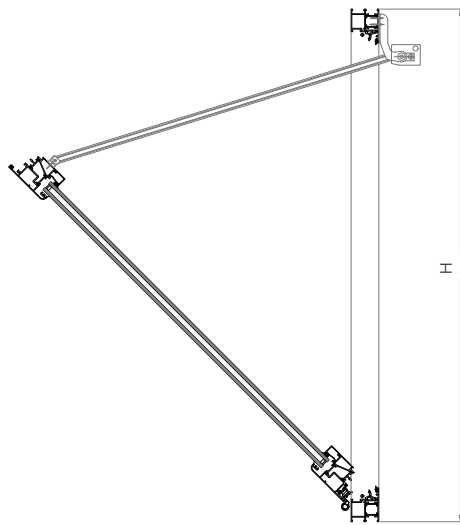
Laminated glass / Insulated glass / Polycarbonate /
 Sandwich panels - insulated or uninsulated / Other infills available on request

WEIGHT

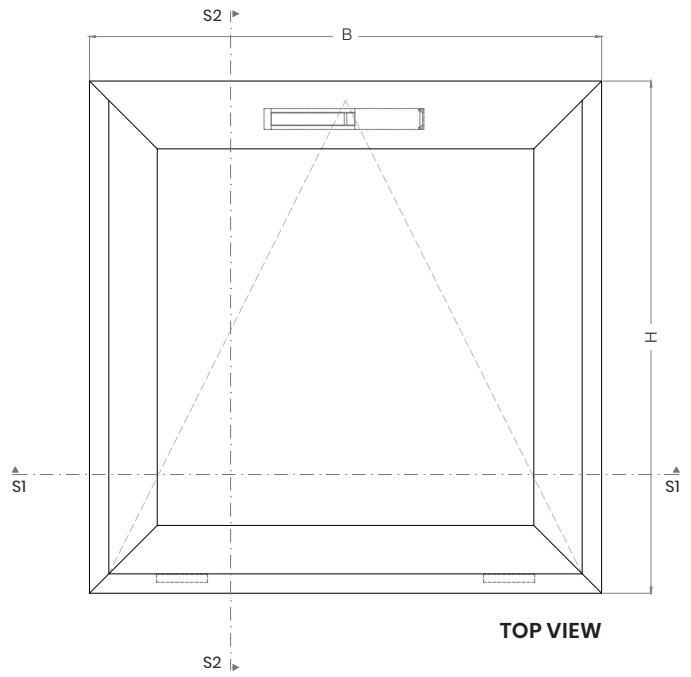
Depends on dimensions and type of infill

OPTIONS

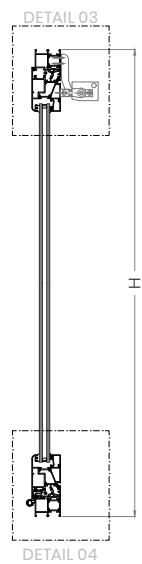
Custom dimensions; powder-coated design (in any ral colour)



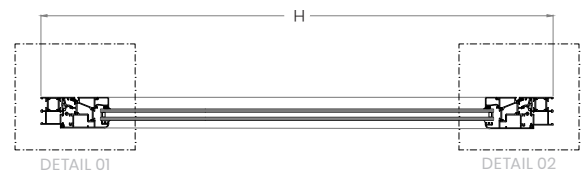
SECTION S2 OPEN



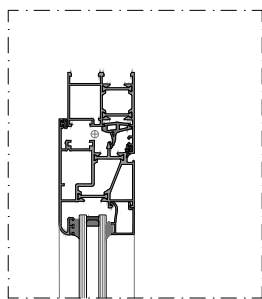
TOP VIEW



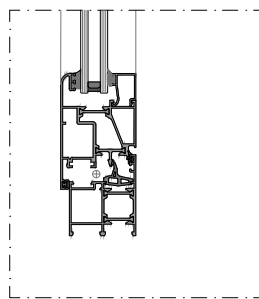
SECTION S2 CLOSED



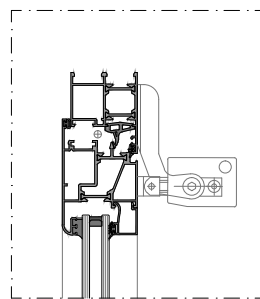
SECTION S1



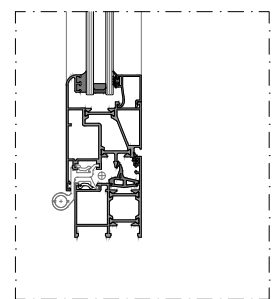
DETAIL 01



DETAIL 02



DETAIL 03



DETAIL 04

